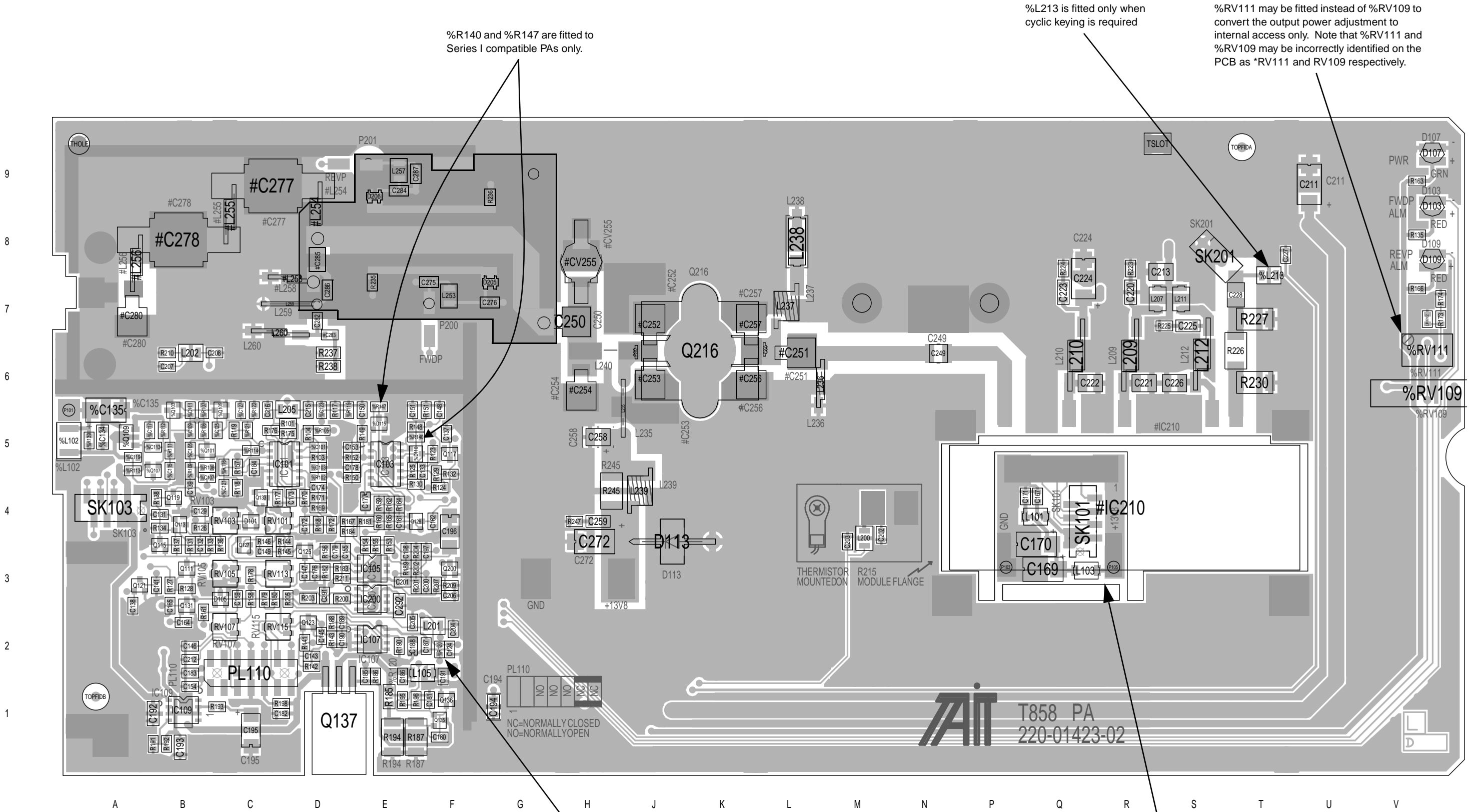


T858 PCB Layout - Bottom Side
220-01423-02



%R140 and %R147 are fitted to Series I compatible PAs only.

%L213 is fitted only when cyclic keying is required

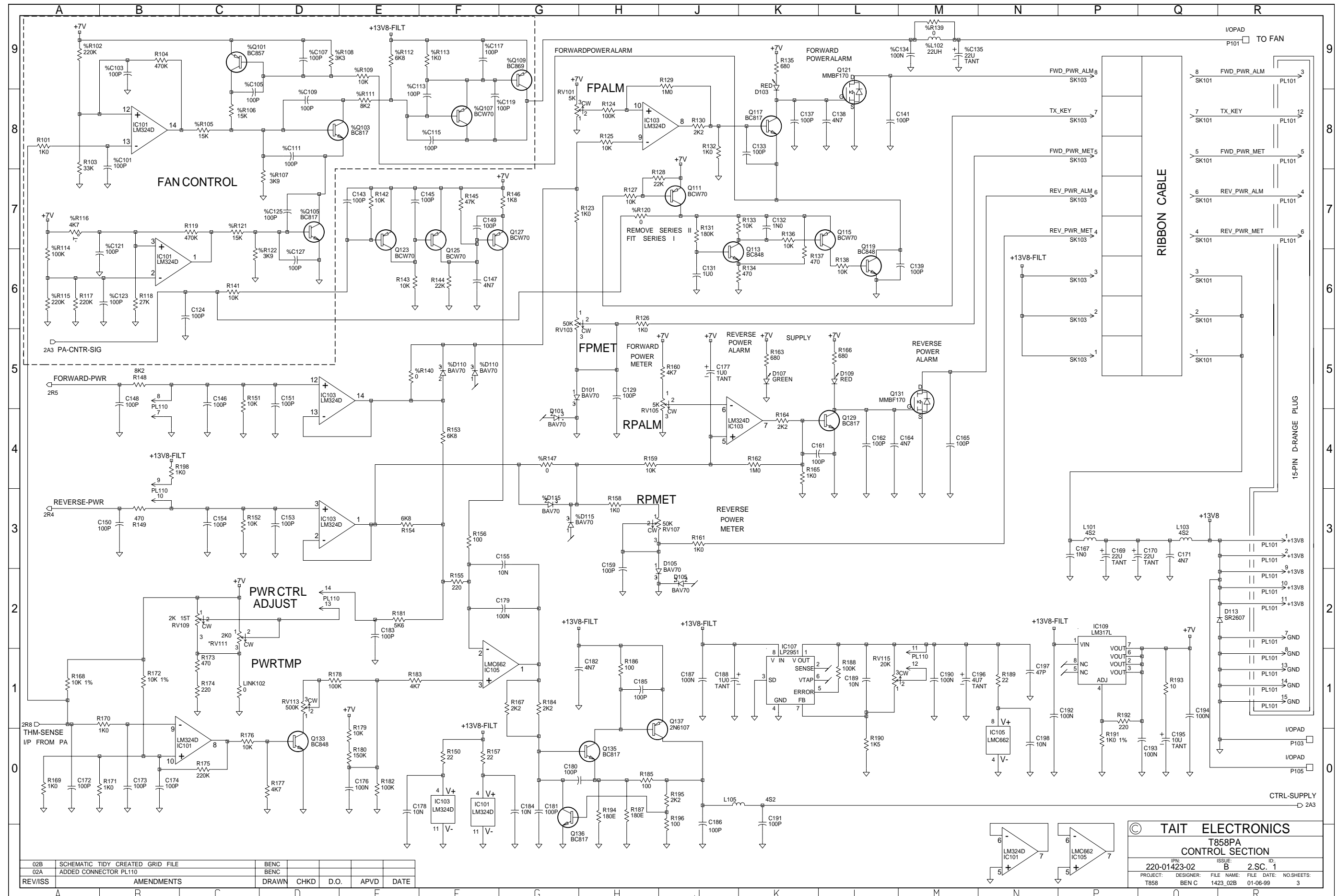
%RV111 may be fitted instead of %RV109 to convert the output power adjustment to internal access only. Note that %RV111 and %RV109 may be incorrectly identified on the PCB as *RV111 and RV109 respectively.

%R120 is fitted to Series I compatible PAs only.

The circuitry for the break-off D-range PCB is shown on the control section circuit diagram.

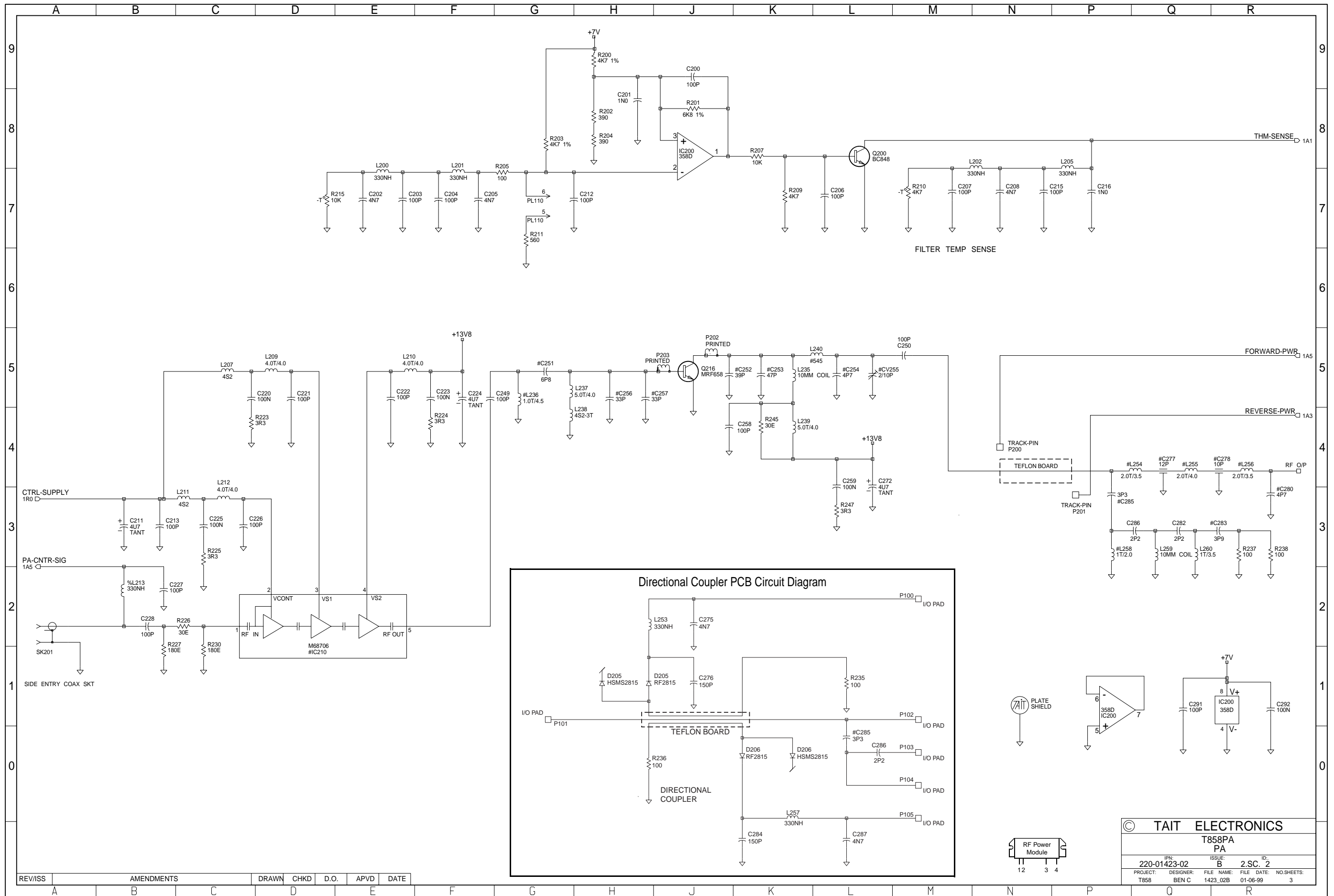
AIT
 T858 PA
 220-01423-02

T858 PCB Layout - Top Side
 220-01423-02



02B	SCHEMATIC TIDY CREATED GRID FILE	BENC				
02A	ADDED CONNECTOR PL110	BENC				
REV/ISS	AMENDMENTS	DRAWN	CHKD	D.O.	APVD	DATE

© TAIT ELECTRONICS
T858PA
CONTROL SECTION
IPN: 220-01423-02 ISSUE: B 2.S.C. 1
PROJECT: T858 DESIGNER: BEN C FILE NAME: 1423_02B FILE DATE: 01-06-99 NO.SHEETS: 3



© TAIT ELECTRONICS			
T858PA PA			
IPN:	ISSUE:	FILE NAME:	ID:
220-01423-02	B	1423_02B	2.SC. 2
PROJECT:	DESIGNER:	FILE DATE:	NO SHEETS:
T858	BEN C	01-06-99	3